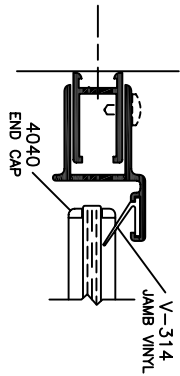
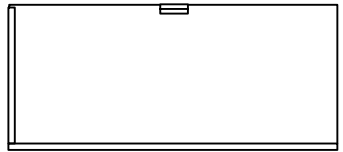


VERTICAL CROSS SECTIONS

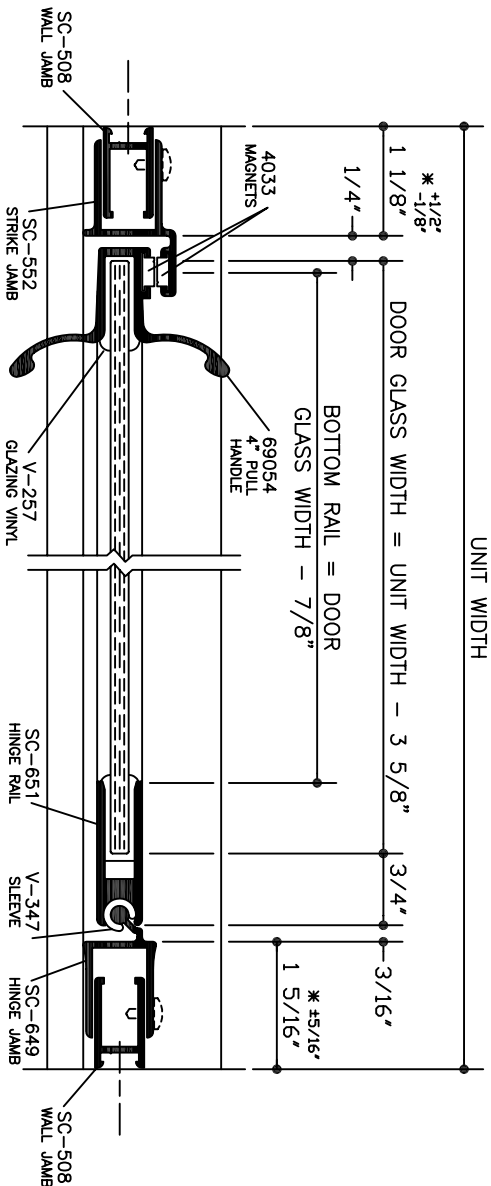


STRIKE JAMB DETAIL ABOVE & BELOW MAGNET



FRAMELESS DOOR PANEL

- NOTES:
1. The 4033 strike jamb magnet (4" long) should be centered in the jamb with V-314 jamb seal vinyl above and below it (see detail).
  2. If 1/4" thick door glass is used in place of the standard 3/16" thickness, then substitute V-308 vinyl in place of V-257 glazing vinyl.
  3. When using obscure or patterned glass, door hand must be determined prior to glazing.
  - \* 4. Application of tolerances may affect glass and horizontal frame member sizes.



HORIZONTAL CROSS SECTION

1/2 SIZE DETAIL

NOTE: Glazing material for all KD units and Glazed units must conform to Ansi Z97.1 and CPSC Standard 16 CFC 1201 Category I and II.

EPH-N00-06211  
DATE: 3-15-05

SERIES

300C

FRAMELESS CONTINUOUS HINGE



**ALUMAX**  
BATH ENCLOSURES

a product of ALCOA  
PO Box 40 - Magnolia, AR 71754-0040 - (870) 234-4260  
www.alumaxbath.com