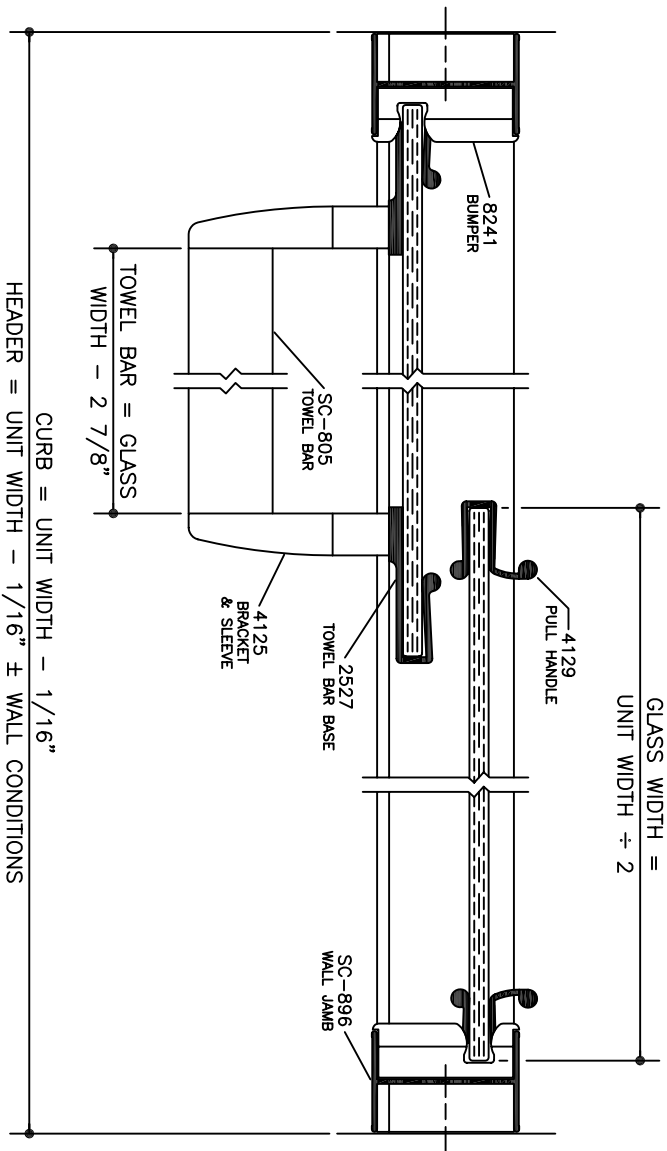
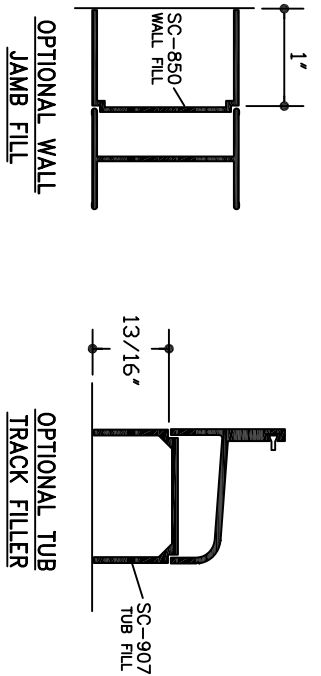


VERTICAL CROSS SECTIONS



HORIZONTAL CROSS SECTION

1/2 SIZE DETAIL

SERIES

340

FRAMELESS BATH ENCLOSURE

NOTE: Glazing material for all KD units and Glazed units must conform to Ansi Z97.1 and CPSC Standard 16 CFC 1201 Category I and II.

EPH-N00-06110
DATE: 1-7-05



ALUMAX
BATH ENCLOSURES

a product of ALCOA
PO Box 40 - Magnolia, AR 71754-0040 - (870) 234-4260
www.alumaxbath.com