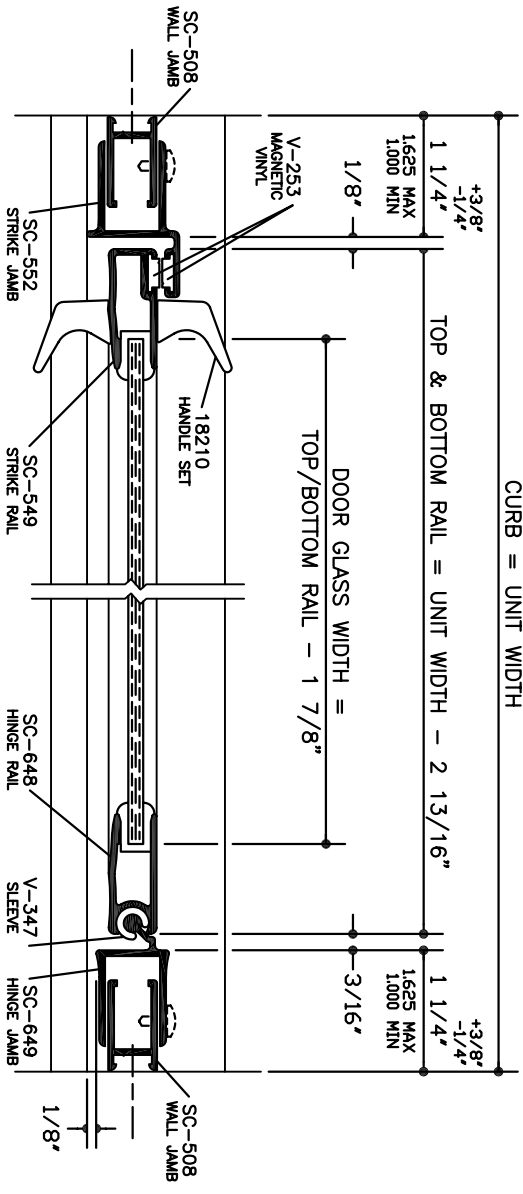
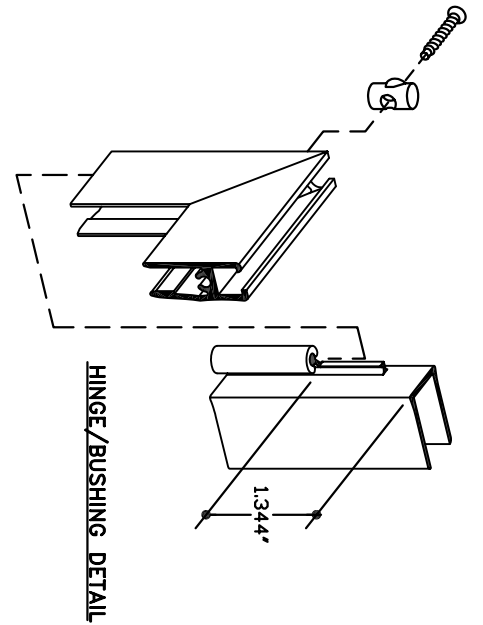
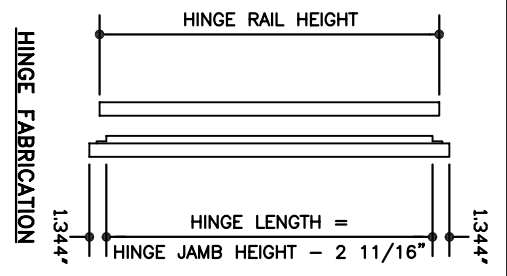


VERTICAL CROSS SECTION



HORIZONTAL CROSS SECTION

NOTE: Glazing material for all KD units and Glazed units must conform to Ansi Z97.1 and CPSC Standard 16 CFC 1201 Category I and II.

EPH-NOO-06203
DATE: 5-25-04

SERIES

700C

FRAMED
CONTINUOUS
HINGE
SHOWER DOOR

ALUMAX

a product of ALCOA

BATH ENCLOSURES

PO Box 40 - Magnolia, AR 71754-0040 - (870) 234-4260
www.alumaxbath.com