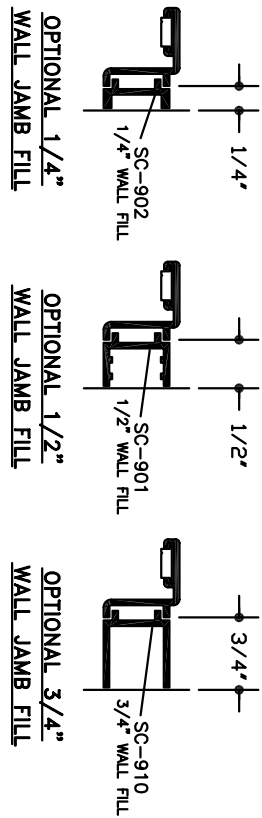
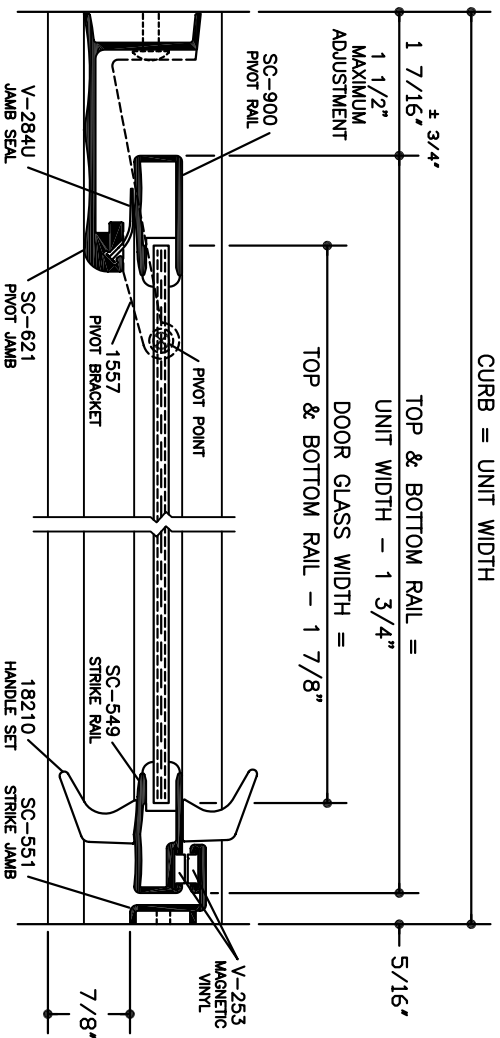


VERTICAL CROSS SECTION



- NOTES:
1. If 3/16" thick door glass is used in place of the standard 5/32" thickness, then substitute V-53 vinyl in place of V-52 glazing vinyl.
  2. Nominal unit height of 63 1/2" is actually 63 3/8". Nominal unit height of 67" is actually 66 7/8".



HORIZONTAL CROSS SECTION

1/2 SIZE DETAIL

SERIES

FRAMED PIVOT DOOR

# 738

NOTE: Glazing material for all KD units and Glazed units must conform to Ansi Z97.1 and CPSC Standard 16 CFC 1201 Category I and II.

EPH-N00-06107  
DATE: 5-25-04

**ALUMAX**  
BATH ENCLOSURES  
a product of ALCOA  
PO Box 40 - Magnolia, AR 71754-0040 - (870) 234-4260  
www.alumaxbath.com