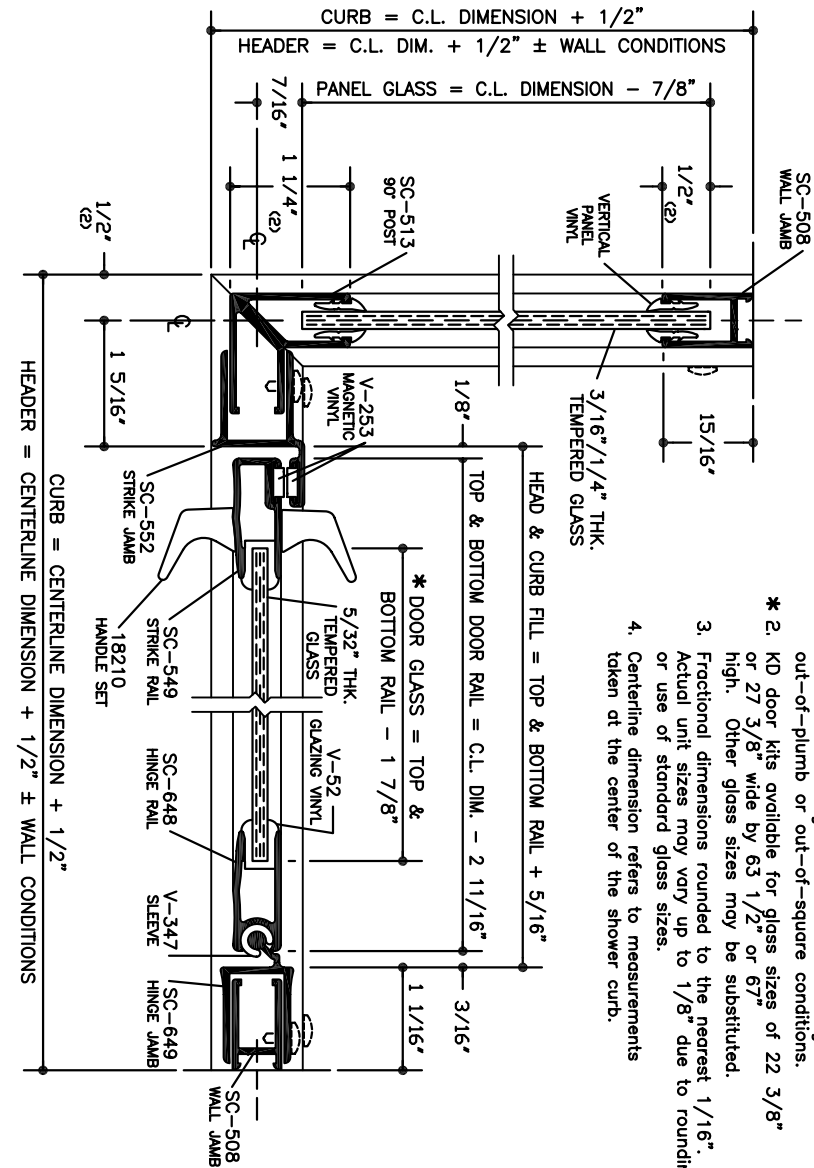


**VERTICAL CROSS SECTION**



**HORIZONTAL CROSS SECTION**

PANEL GLAZING VINYL		
GLASS THICKNESS	VERTICAL	HORIZONTAL
3/16"	V-226	V-225
1/4"	V-219	V-220

- NOTES:**
- Return panel 1/2" glass bite may vary up to +3/16" / -1/4" as necessary to facilitate the use of standard glass sizes or to configure for out-of-plumb or out-of-square conditions.
  - KD door kits available for glass sizes of 22 3/8" or 27 3/8" wide by 63 1/2" or 67" high. Other glass sizes may be substituted.
  - Fractional dimensions rounded to the nearest 1/16". Actual unit sizes may vary up to 1/8" due to rounding or use of standard glass sizes.
  - Centerline dimension refers to measurements taken at the center of the shower curb.

1/2 SIZE DETAIL

**SERIES**

**792C**

FRAMED  
CONTINUOUS  
HINGE STIKSTALL

NOTE: Glazing material for all KD units and Glazed units must conform to  
Ansi Z97.1 and CPSC Standard 16 CFC 1201 Category I and II.

EPH-NOO-06205  
DATE: 5-25-04

**ALUMAX**  
BATH ENCLOSURES

a product of ALCOA  
PO Box 40 - Magnolia, AR 71754-0040 - (870) 234-4260  
www.alumaxbath.com