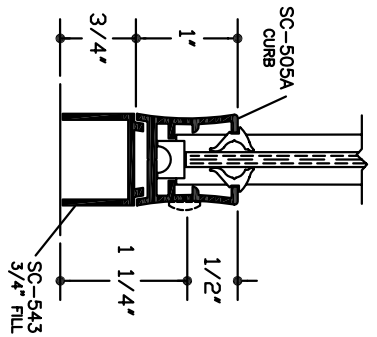
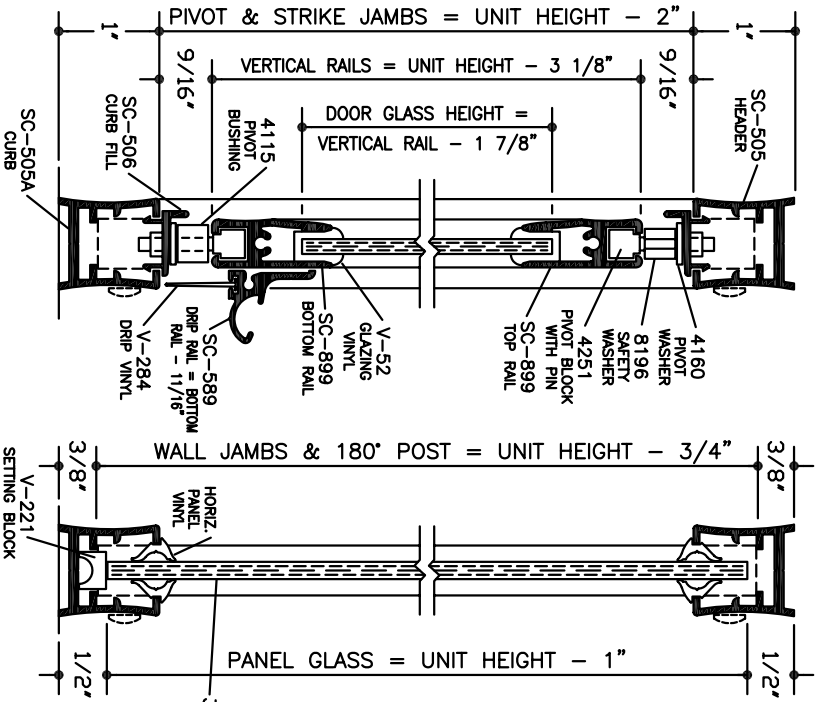


PANEL GLAZING VINYL		
GLASS THICKNESS	VERTICAL	HORIZONTAL
1/4"	V-219	V-220
3/16"	V-226	V-225

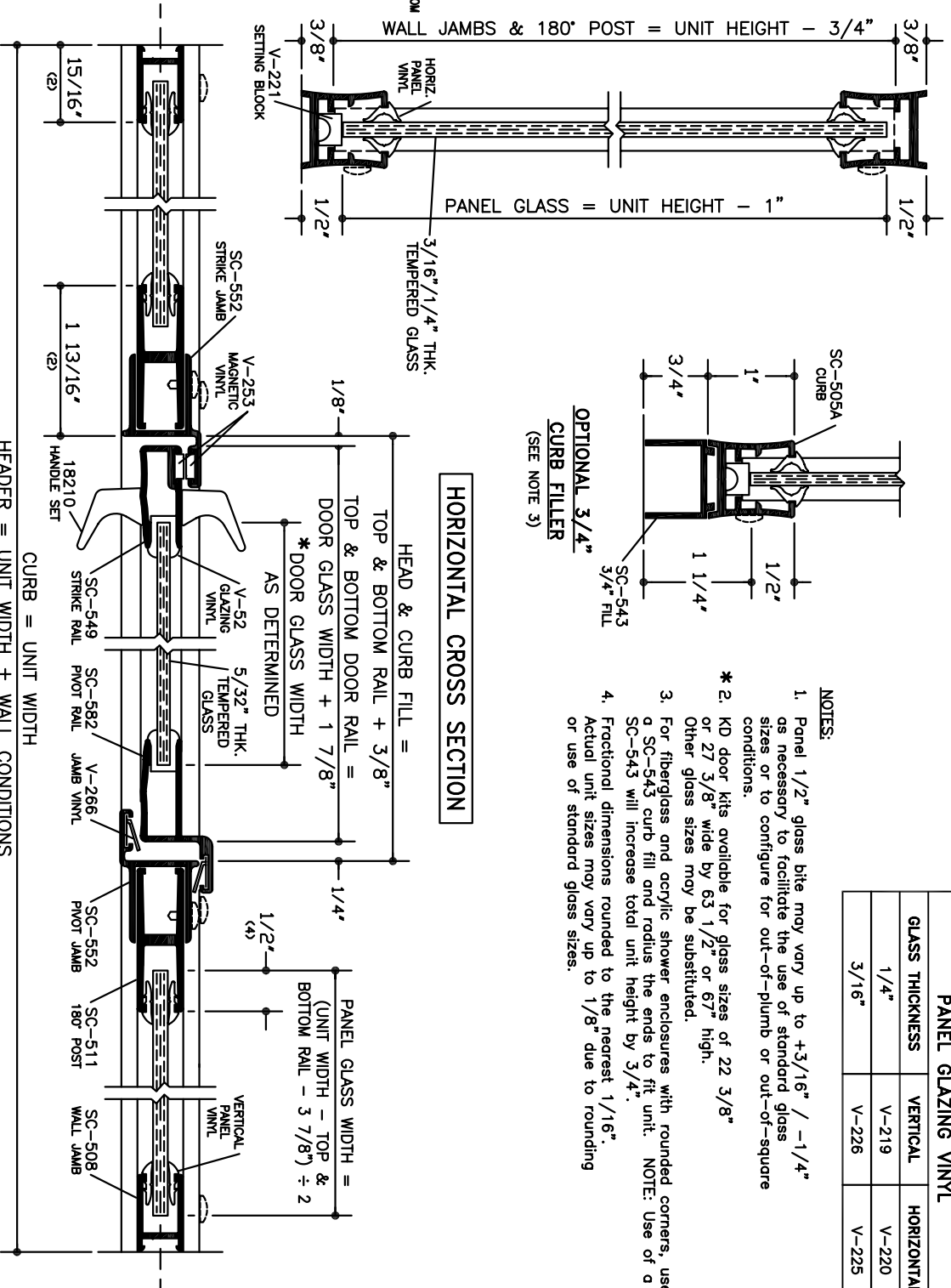
- NOTES:**
- Panel 1/2" glass bite may vary up to +3/16" / -1/4" as necessary to facilitate the use of standard glass sizes or to configure for out-of-plumb or out-of-square conditions.
 - KD door kits available for glass sizes of 22 3/8" or 27 3/8" wide by 63 1/2" or 67" high. Other glass sizes may be substituted.
 - For fiberglass and acrylic shower enclosures with rounded corners, use a SC-543 curb fill and radius the ends to fit unit. NOTE: Use of a SC-543 will increase total unit height by 3/4".
 - Fractional dimensions rounded to the nearest 1/16". Actual unit sizes may vary up to 1/8" due to rounding or use of standard glass sizes.



OPTIONAL 3/4" CURB FILLER
(SEE NOTE 3)



VERTICAL CROSS SECTION



HORIZONTAL CROSS SECTION

1/2 SIZE DETAIL

SERIES

795

FRAMED STIKSTALL

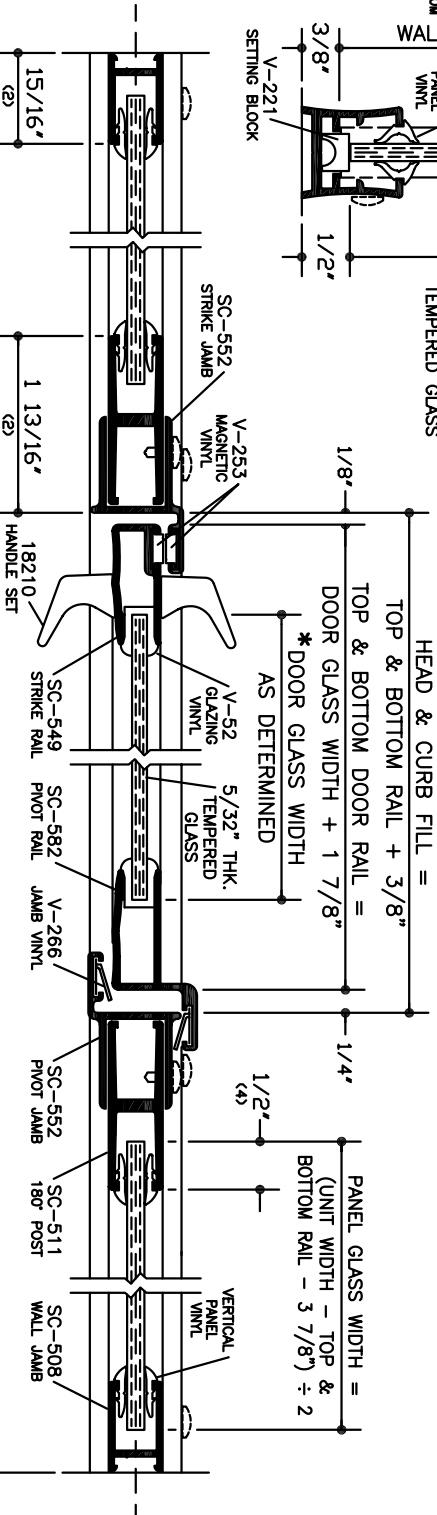
CUSTOM UNIT ONLY - NOT A STOCK ITEM

NOTE: Glazing material for all KD units and Glazed units must conform to Ansi Z97.1 and CPSC Standard 16 CFC 1201 Category I and II.

EPH-N00-06131
DATE: 9-2-04

HEADER = UNIT WIDTH ± WALL CONDITIONS

CURB = UNIT WIDTH



BATH ENCLOSURES

a product of ALCOA

PO Box 40 - Magnolia, AR 71754-0040 - (870) 234-4260
www.alumaxbath.com