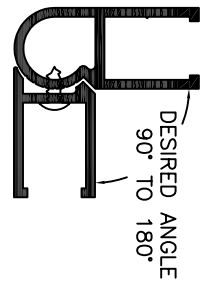
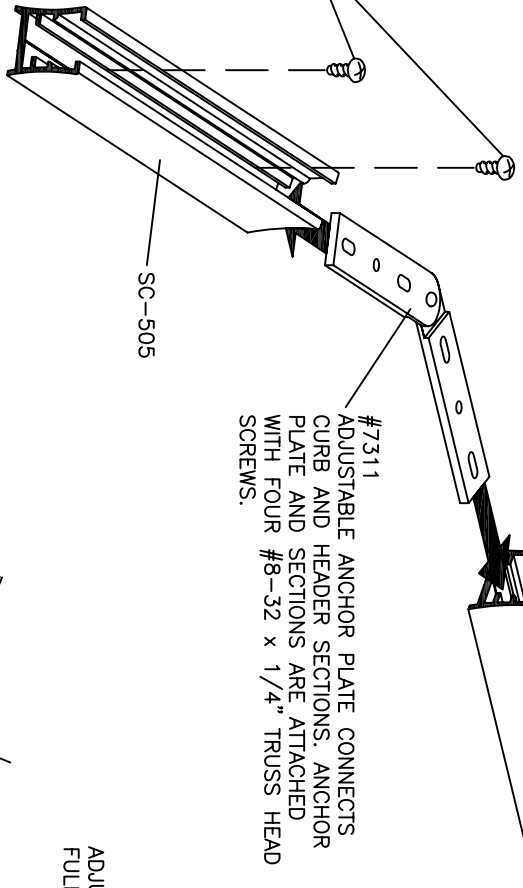


#8-32 x 1/4" TRUSS HEAD SCREWS

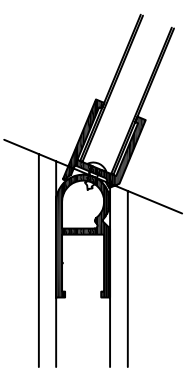


TO ASSEMBLE, ROTATE TO DESIRED ANGLE (NOTE THAT NOTCHES ARE SPACED AT 15° INTERVALS). MATCH-DRILL BOTH PARTS WITH 7/64" DIAMETER DRILL AND INSTALL #6 x 3/8" TRUSS HEAD SCREWS ON 12" CENTERS.

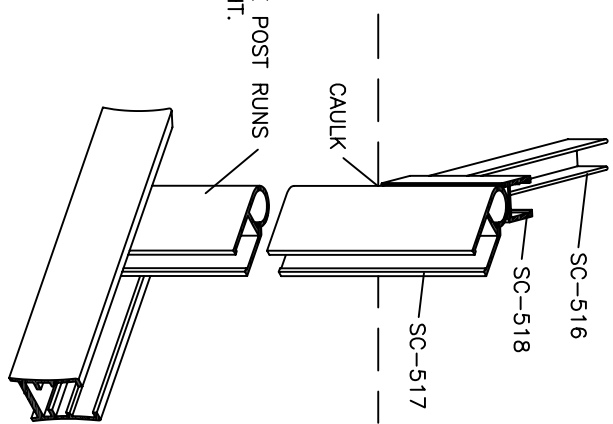


#7311 ADJUSTABLE ANCHOR PLATE CONNECTS CURB AND HEADER SECTIONS. ANCHOR PLATE AND SECTIONS ARE ATTACHED WITH FOUR #8-32 x 1/4" TRUSS HEAD SCREWS.

#8-32 x 1/4" TRUSS HEAD SCREWS



ADJUSTABLE POST RUNS FULL HEIGHT.



THE STIKSTALL ADJUSTABLE POST USED ON A BUTTRESS WITH AN ODD ANGLE.

1/2 SIZE DETAIL

SERIES

STIKSTALL
ADJUSTABLE
POST

NOTE: Glazing material for all KD units and Glazed units must conform to Ansi Z97.1 and CPSC Standard 16 CFC 1201 Category I and II.

EPH-N00-06154
DATE: 12-22-05

ALUMAX
BATH ENCLOSURES

a product of ALCOA
PO Box 40 - Magnolia, AR 71754-0040 - (870) 234-4260
www.alumaxbath.com